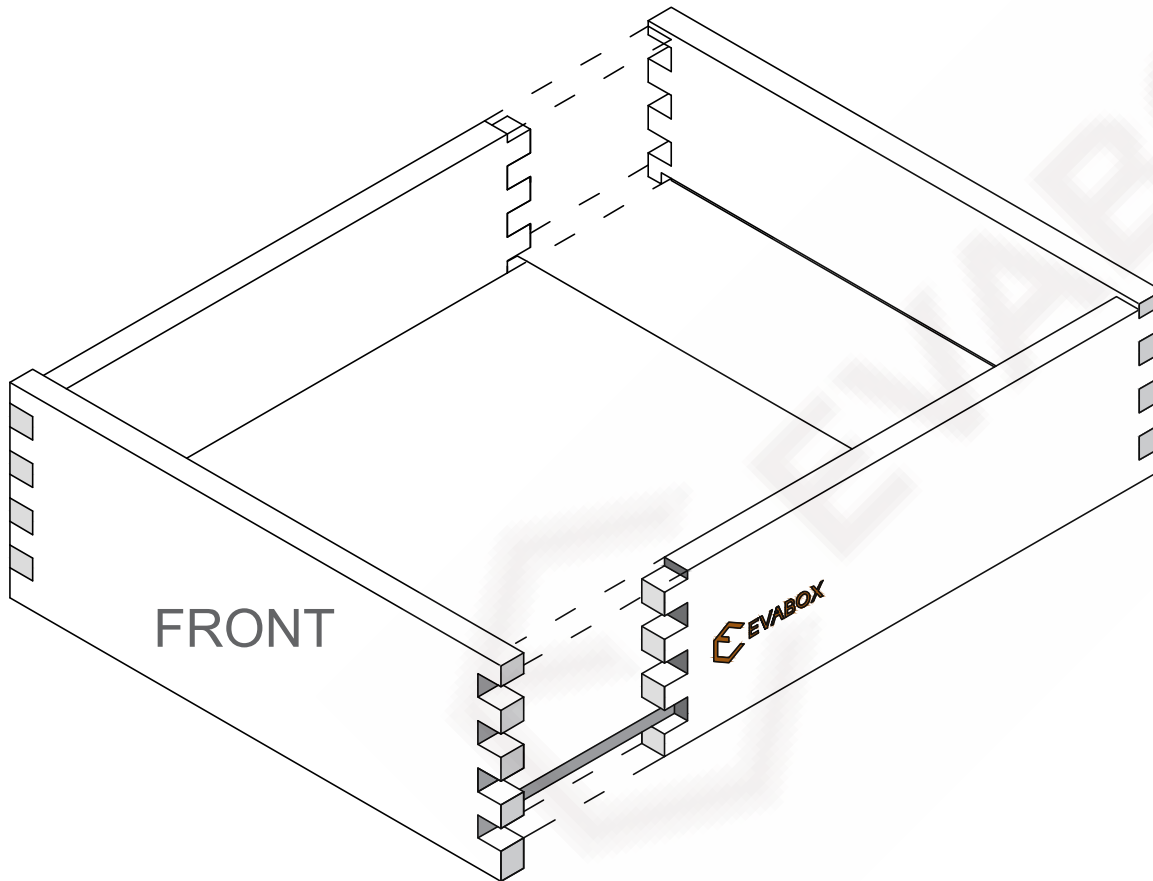
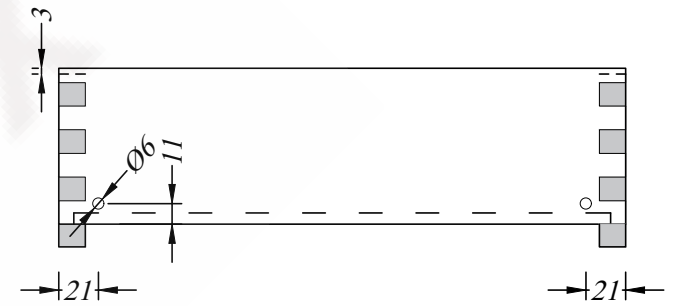


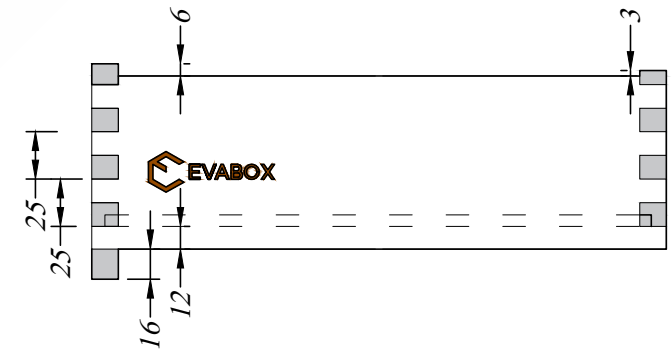
FINGER Type 1



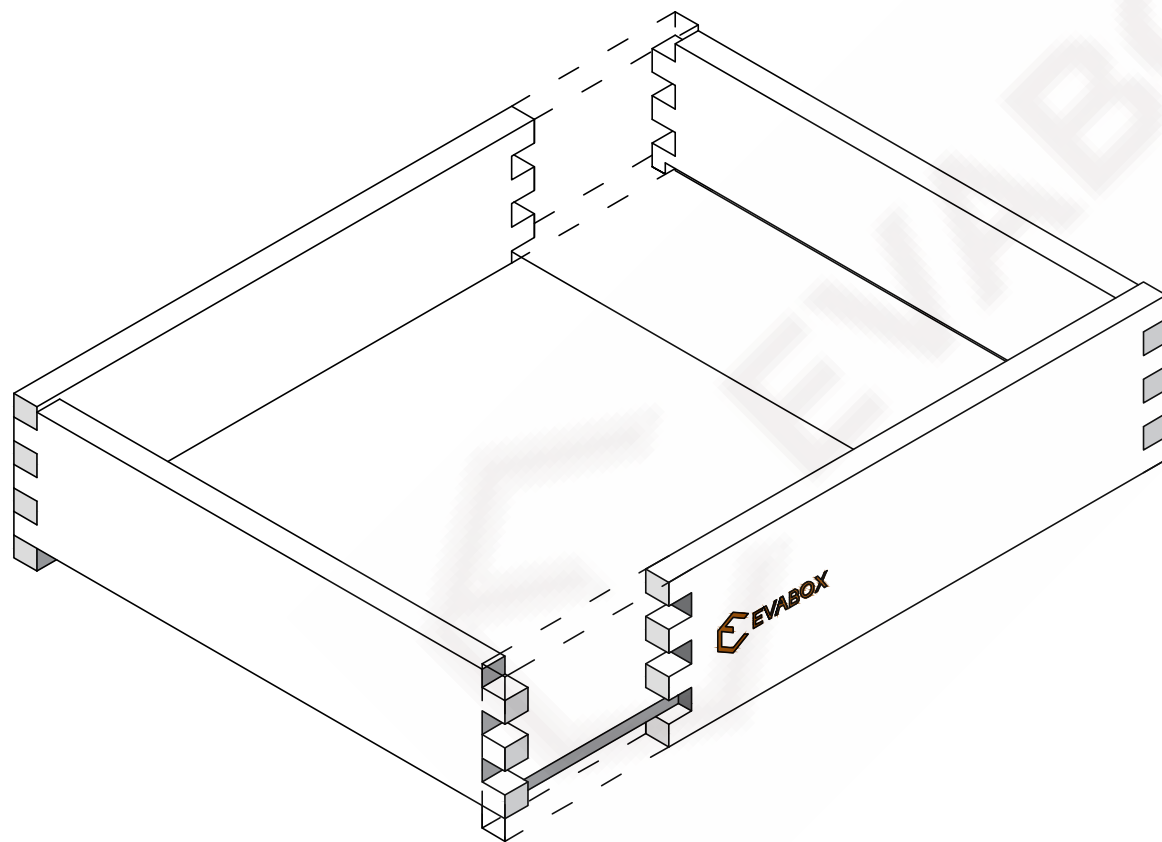
BACK



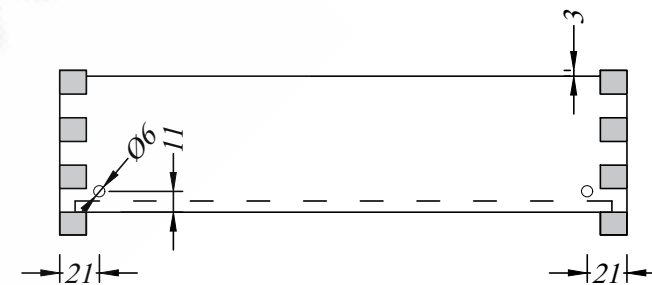
SIDE



FINGER Type 2



BACK



SIDE

