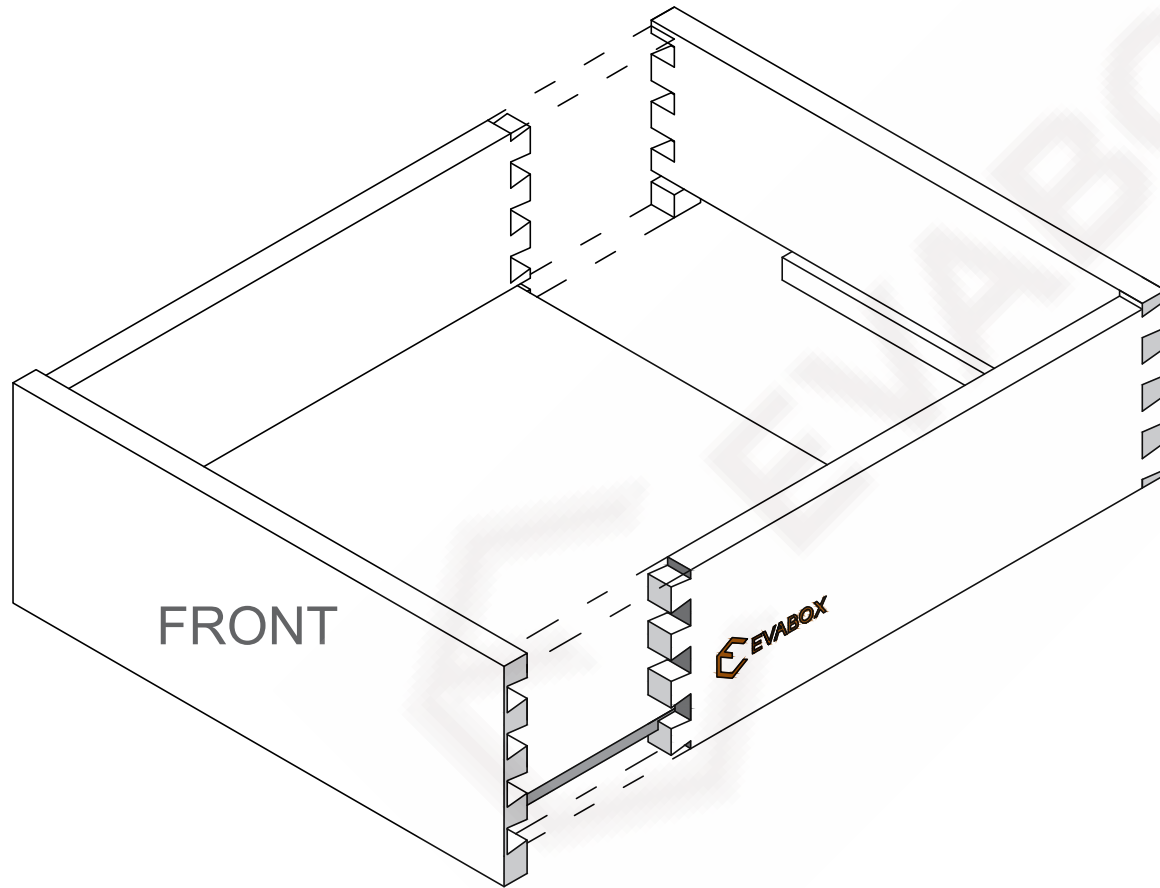
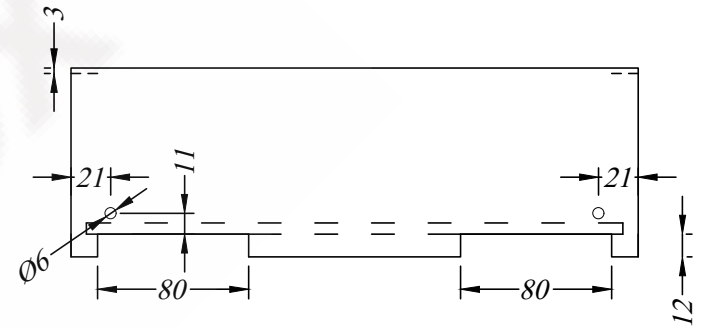


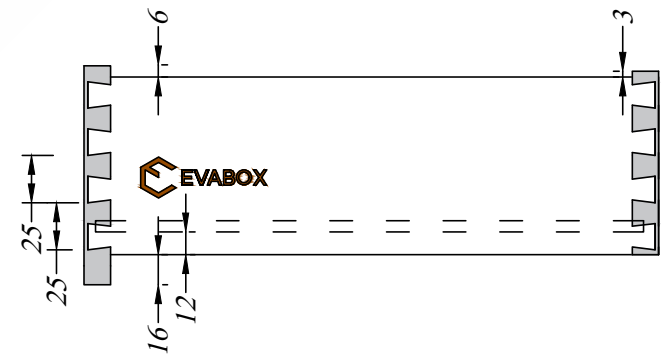
STANDARD Type 1



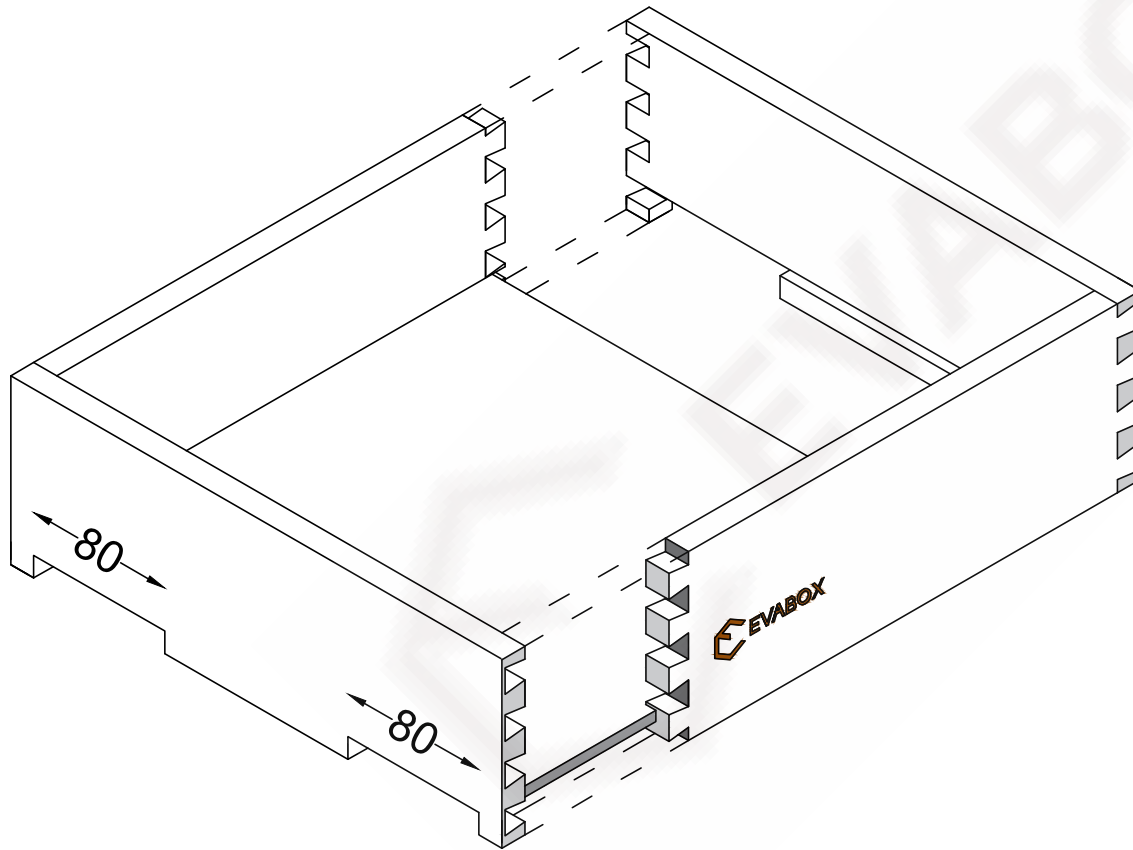
BACK



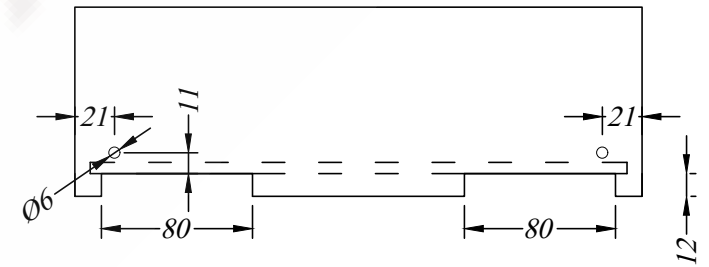
SIDE



STANDARD
Type 2



BACK



SIDE

